

Features

- 90%+ Efficiency
- Internal Short-Circuit Protection
- Pin-Compatible with 3-Terminal Linear Regulators
- Laser-Trimmed Output Voltage
- Over-Temperature Protection
- Small Footprint
- Wide Input Range
- 5-Pin Mount Option (Suffixes L & M)

Description

The PT5100 modules are a series of economical, easy-to-use 1-A positive step-down, Integrated Switching Regulators (ISRs). These ISRs are compatible with most TO-220 style linear regulators, and when employed as a linear replacement, provide significant benefits in both efficiency and power dissipation. They are recommended for use in a wide variety of on-board power regulation applications. These include computer, data storage, industrial controls, and battery powered equipment. Modules are laser-trimmed for optimal output voltage accuracy, and exhibit excellent line and load regulation. The PT5100 also features output current limiting and thermal shutdown protection.

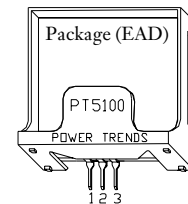
Ordering Information

PT5101 □	= +5.0 Volts
PT5102 □	= +12.0 Volts
PT5103 □	= +3.3 Volts
PT5105 □	= +6.5 Volts
PT5107 □	= +15.0 Volts
PT5109 □	= +5.6 Volts
PT5110 □	= +9.0 Volts
PT5111 □	= +10.0 Volts
PT5112 □	= +8.0 Volts

PT Series Suffix (PT1234x)

Case/Pin Configuration	Order Suffix	Package Code
Vertical	N	(EAD)
Horizontal	A	(EAA)
SMD	C	(EAC)
Horizontal, 2-pin Tab	M	(EAM)
SMD, 2-Pin Tab	L	(EAL)

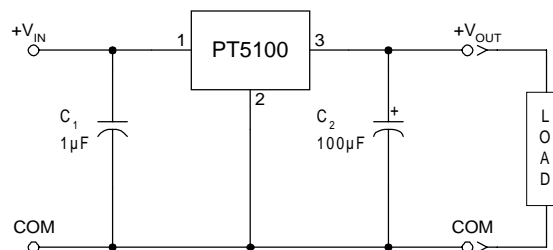
(Reference the applicable package code drawing for the dimensions and PC board layout)



Pin-Out Information

Pin	Function
1	V _{in}
2	GND
3	V _{out}

Standard Application



C₁ = Optional 1µF ceramic capacitor
C₂ = Required 100µF electrolytic

PT5100 Series

1-A Positive Step-down Integrated Switching Regulator

Specifications (Unless otherwise stated, $T_a = 25^\circ\text{C}$, $V_{in} = V_{in\text{min}}$, $C_{out} = 100\mu\text{F}$, and $I_o = I_{o\text{max}}$)

Characteristic	Symbol	Conditions	PT5100 SERIES			Units	
			Min	Typ	Max		
Output Current	I_o	Over V_{in} range	0.1 ⁽¹⁾	—	1.0	A	
Input Voltage Range	V_{in}	Over I_o Range	$V_o = 3.3\text{V}$	9	—	26	VDC
			$V_o = 5.0\text{V}$	9	—	38	
			$V_o > 5.0\text{V}$	$V_o + 4$	—	38	
Set Point Voltage Tolerance	$V_o\text{tol}$		—	± 1	± 2	$\%V_o$	
Temperature Variation	Reg_{temp}	$0^\circ \leq T_a \leq +60^\circ\text{C}$, $I_o = I_{o\text{min}}$	—	± 0.5	—	$\%V_o$	
Line Regulation	Reg_{line}	Over V_{in} range	—	± 5	± 10	mV	
Load Regulation	Reg_{load}	Over I_o range	—	± 5	± 10	mV	
Total Output Voltage Variation	$\Delta V_{o\text{tot}}$	Includes set-point, line, load, $0^\circ \leq T_a \leq +60^\circ\text{C}$	—	± 1.5	± 3	$\%V_o$	
Efficiency	η		$V_o = 15\text{V}$	—	95	—	%
			$V_o = 12\text{V}$	—	94	—	
			$V_o = 10\text{V}$	—	92	—	
			$V_o = 5.0\text{V}$	—	90	—	
			$V_o = 3.3\text{V}$	—	82	—	
V_o Ripple (pk-pk)	V_r	20MHz bandwidth	—	2	—	$\%V_o$	
Transient Response	t_{tr}	1A/ μs load step, 50% to 100% $I_{o\text{max}}$	—	100	200	μs	
	ΔV_{tr}	V_o over/undershoot	—	± 5.0	—	$\%V_o$	
Current Limit	I_{lim}	$\Delta V_o = -1\%$	1.2	2.6	—	A	
Switching Frequency	f_s	Over V_{in} range	$V_o \geq 5.0\text{V}$	500	650	800	kHz
			$V_o \leq 3.3\text{V}$	575	725	875	
External Output Capacitance	C_{out}		100	—	—	μF	
Operating Temperature Range	T_a	Over V_{in} range	-40 ⁽²⁾	—	$+85$ ⁽³⁾	$^\circ\text{C}$	
Thermal Resistance	θ_{ja}	Free-air convection (40-60LFM)	$V_o = 3.3\text{V}$	—	45	—	$^\circ\text{C}/\text{W}$
			$V_o = 5.0\text{V}$	—	50	—	
			$V_o \geq 12\text{V}$	—	60	—	
Storage Temperature	T_s	—	-40	—	$+125$	$^\circ\text{C}$	
Reliability	MTBF	Per Bellcore TR-332 50% stress, $T_a = 40^\circ\text{C}$, ground benign	11.3	—	—	10^6 Hrs	
Mechanical Shock	—	Per Mil-Std-883D, method 2002.3, 1mS, half-sine, mounted to a fixture	—	500	—	G's	
Mechanical Vibration	—	Per Mil-Std-883D, Method 2007.2 20-2000Hz, soldered in PC board	—	5 ⁽⁴⁾	—	G's	
Weight	—	Suffixes N, A, & C	—	4.5	—	grams	
		Suffixes L & M	—	6.5	—		
Flammability	—	Materials meet UL 94V-0	—	—	—	—	

Notes: (1) The ISR will operate at no load with reduced specifications.

(2) For operation below 0°C , use a tantalum type capacitor for C_2 .

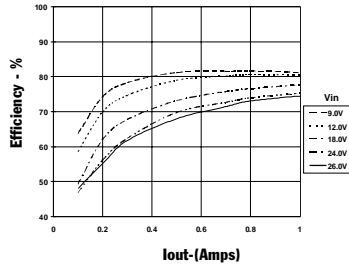
(3) See Thermal Derating curves.

(4) The tab pins on the 5-pin mount package types (suffixes L & M) must be soldered. For more information see the applicable package outline drawing.

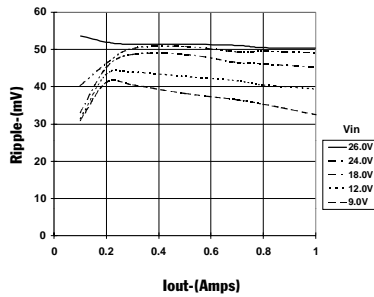
1-A Positive Step-down
Integrated Switching Regulator

PT5103, 3.3 VDC (See Note A)

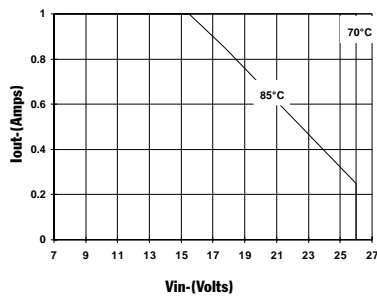
Efficiency vs Output Current



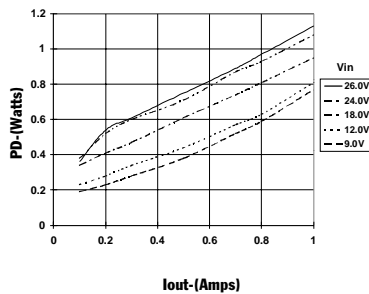
Ripple vs Output Current



Thermal Derating (T_A) (See Note B)

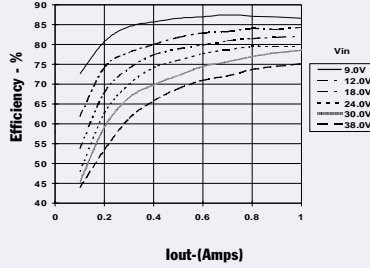


Power Dissipation vs Output Current

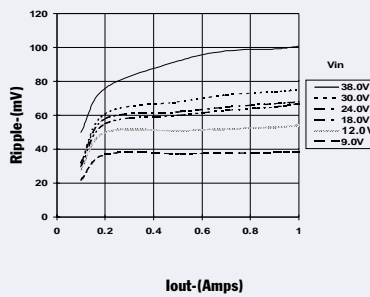


PT5101, 5.0 VDC (See Note A)

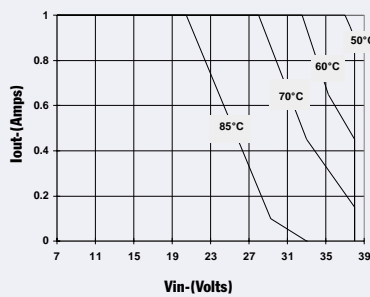
Efficiency vs Output Current



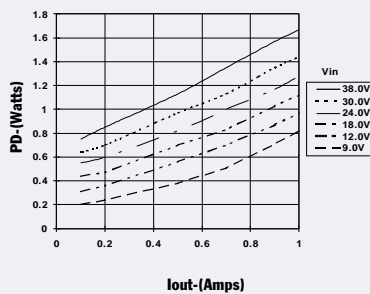
Ripple vs Output Current



Thermal Derating (T_A) (See Note B)

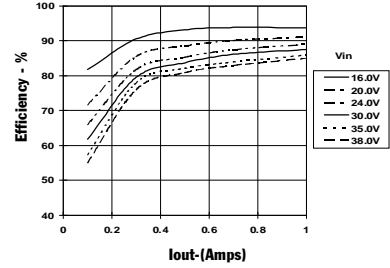


Power Dissipation vs Output Current

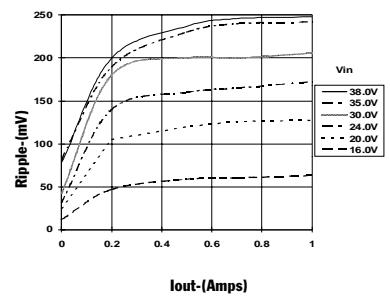


PT5102, 12.0 VDC (See Note A)

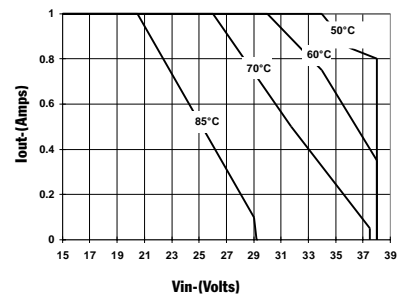
Efficiency vs Output Current



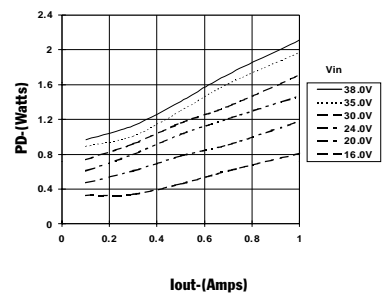
Ripple vs Output Current



Thermal Derating (T_A) (See Note B)



Power Dissipation vs Output Current



Note A: Characteristic data has been developed from actual products tested at 25°C. This data is considered typical data for the Converter.
Note B: Thermal derating graphs are developed in free-air convection cooling, which corresponds to approximately 40-60LFM of airflow.

PACKAGING INFORMATION

Orderable Device	Status ⁽¹⁾	Package Type	Package Drawing	Pins	Package Qty	Eco Plan ⁽²⁾	Lead/Ball Finish	MSL Peak Temp ⁽³⁾
PT5101A	ACTIVE	SIP MOD ULE	EAA	3	35	Pb-Free (RoHS)	Call TI	N / A for Pkg Type
PT5101C	ACTIVE	SIP MOD ULE	EAC	3	35	Pb-Free (RoHS)	Call TI	Level-1-215C-UNLIM
PT5101CT	ACTIVE	SIP MOD ULE	EAC	3	200	TBD	Call TI	Level-1-215C-UNLIM
PT5101G	ACTIVE	SIP MOD ULE	EAG	3	16	Pb-Free (RoHS)	Call TI	N / A for Pkg Type
PT5101H	ACTIVE	SIP MOD ULE	EAH	3	16	Pb-Free (RoHS)	Call TI	N / A for Pkg Type
PT5101J	ACTIVE	SIP MOD ULE	EAJ	3	16	Pb-Free (RoHS)	Call TI	Level-1-215C-UNLIM
PT5101L	ACTIVE	SIP MOD ULE	EAL	3	35	Pb-Free (RoHS)	Call TI	Level-1-215C-UNLIM
PT5101M	ACTIVE	SIP MOD ULE	EAM	3	35	Pb-Free (RoHS)	Call TI	N / A for Pkg Type
PT5101N	ACTIVE	SIP MOD ULE	EAD	3	35	Pb-Free (RoHS)	Call TI	N / A for Pkg Type
PT5101S	ACTIVE	SIP MOD ULE	EAF	3	16	Pb-Free (RoHS)	Call TI	N / A for Pkg Type
PT5101U	ACTIVE	SIP MOD ULE	EAU	3	35	Pb-Free (RoHS)	Call TI	N / A for Pkg Type
PT5102A	ACTIVE	SIP MOD ULE	EAA	3	35	Pb-Free (RoHS)	Call TI	N / A for Pkg Type
PT5102C	ACTIVE	SIP MOD ULE	EAC	3	35	Pb-Free (RoHS)	Call TI	Level-1-215C-UNLIM
PT5102CT	ACTIVE	SIP MOD ULE	EAC	3	200	Pb-Free (RoHS)	Call TI	Level-1-215C-UNLIM
PT5102H	ACTIVE	SIP MOD ULE	EAH	3	16	Pb-Free (RoHS)	Call TI	N / A for Pkg Type
PT5102M	ACTIVE	SIP MOD ULE	EAM	3	35	Pb-Free (RoHS)	Call TI	N / A for Pkg Type
PT5102N	ACTIVE	SIP MOD ULE	EAD	3	35	Pb-Free (RoHS)	Call TI	N / A for Pkg Type
PT5102S	ACTIVE	SIP MOD ULE	EAF	3	16	Pb-Free (RoHS)	Call TI	N / A for Pkg Type
PT5103A	ACTIVE	SIP MOD ULE	EAA	3	35	Pb-Free (RoHS)	Call TI	N / A for Pkg Type
PT5103C	ACTIVE	SIP MOD ULE	EAC	3	35	Pb-Free (RoHS)	Call TI	Level-1-215C-UNLIM
PT5103H	ACTIVE	SIP MOD ULE	EAH	3	16	Pb-Free (RoHS)	Call TI	N / A for Pkg Type
PT5103J	ACTIVE	SIP MOD ULE	EAJ	3	16	Pb-Free (RoHS)	Call TI	Level-1-215C-UNLIM
PT5103L	ACTIVE	SIP MOD ULE	EAL	3	35	Pb-Free (RoHS)	Call TI	Level-1-215C-UNLIM
PT5103M	ACTIVE	SIP MOD ULE	EAM	3	35	Pb-Free (RoHS)	Call TI	N / A for Pkg Type
PT5103N	ACTIVE	SIP MOD ULE	EAD	3	35	Pb-Free (RoHS)	Call TI	N / A for Pkg Type

Orderable Device	Status ⁽¹⁾	Package Type	Package Drawing	Pins	Package Qty	Eco Plan ⁽²⁾	Lead/Ball Finish	MSL Peak Temp ⁽³⁾
PT5105A	ACTIVE	SIP MOD ULE	EAA	3	35	Pb-Free (RoHS)	Call TI	N / A for Pkg Type
PT5105C	ACTIVE	SIP MOD ULE	EAC	3	35	Pb-Free (RoHS)	Call TI	Level-1-215C-UNLIM
PT5105L	ACTIVE	SIP MOD ULE	EAL	3	35	Pb-Free (RoHS)	Call TI	Level-1-215C-UNLIM
PT5105N	ACTIVE	SIP MOD ULE	EAD	3	35	Pb-Free (RoHS)	Call TI	N / A for Pkg Type
PT5107A	ACTIVE	SIP MOD ULE	EAA	3	35	Pb-Free (RoHS)	Call TI	N / A for Pkg Type
PT5107C	ACTIVE	SIP MOD ULE	EAC	3	35	Pb-Free (RoHS)	Call TI	Level-1-215C-UNLIM
PT5107J	ACTIVE	SIP MOD ULE	EAJ	3	16	Pb-Free (RoHS)	Call TI	Level-1-215C-UNLIM
PT5107M	ACTIVE	SIP MOD ULE	EAM	3	35	Pb-Free (RoHS)	Call TI	N / A for Pkg Type
PT5107N	ACTIVE	SIP MOD ULE	EAD	3	35	Pb-Free (RoHS)	Call TI	N / A for Pkg Type
PT5109A	ACTIVE	SIP MOD ULE	EAA	3	35	Pb-Free (RoHS)	Call TI	N / A for Pkg Type
PT5109C	ACTIVE	SIP MOD ULE	EAC	3	35	Pb-Free (RoHS)	Call TI	Level-1-215C-UNLIM
PT5109M	ACTIVE	SIP MOD ULE	EAM	3	35	Pb-Free (RoHS)	Call TI	N / A for Pkg Type
PT5109N	ACTIVE	SIP MOD ULE	EAD	3	35	Pb-Free (RoHS)	Call TI	N / A for Pkg Type
PT5110A	ACTIVE	SIP MOD ULE	EAA	3	35	Pb-Free (RoHS)	Call TI	N / A for Pkg Type
PT5110C	ACTIVE	SIP MOD ULE	EAC	3	35	Pb-Free (RoHS)	Call TI	Level-1-215C-UNLIM
PT5110N	ACTIVE	SIP MOD ULE	EAD	3	35	Pb-Free (RoHS)	Call TI	N / A for Pkg Type
PT5111A	ACTIVE	SIP MOD ULE	EAA	3	35	Pb-Free (RoHS)	Call TI	N / A for Pkg Type
PT5111M	ACTIVE	SIP MOD ULE	EAM	3	35	Pb-Free (RoHS)	Call TI	N / A for Pkg Type
PT5111N	ACTIVE	SIP MOD ULE	EAD	3	35	Pb-Free (RoHS)	Call TI	N / A for Pkg Type
PT5112A	ACTIVE	SIP MOD ULE	EAA	3	35	Pb-Free (RoHS)	Call TI	N / A for Pkg Type
PT5112C	ACTIVE	SIP MOD ULE	EAC	3	35	Pb-Free (RoHS)	Call TI	Level-1-215C-UNLIM
PT5112N	ACTIVE	SIP MOD ULE	EAD	3	35	Pb-Free (RoHS)	Call TI	N / A for Pkg Type

⁽¹⁾ The marketing status values are defined as follows:

ACTIVE: Product device recommended for new designs.

LIFEBUY: TI has announced that the device will be discontinued, and a lifetime-buy period is in effect.

NRND: Not recommended for new designs. Device is in production to support existing customers, but TI does not recommend using this part in a new design.

PREVIEW: Device has been announced but is not in production. Samples may or may not be available.

OBSELETE: TI has discontinued the production of the device.

(2) Eco Plan - The planned eco-friendly classification: Pb-Free (RoHS), Pb-Free (RoHS Exempt), or Green (RoHS & no Sb/Br) - please check <http://www.ti.com/productcontent> for the latest availability information and additional product content details.

TBD: The Pb-Free/Green conversion plan has not been defined.

Pb-Free (RoHS): TI's terms "Lead-Free" or "Pb-Free" mean semiconductor products that are compatible with the current RoHS requirements for all 6 substances, including the requirement that lead not exceed 0.1% by weight in homogeneous materials. Where designed to be soldered at high temperatures, TI Pb-Free products are suitable for use in specified lead-free processes.

Pb-Free (RoHS Exempt): This component has a RoHS exemption for either 1) lead-based flip-chip solder bumps used between the die and package, or 2) lead-based die adhesive used between the die and leadframe. The component is otherwise considered Pb-Free (RoHS compatible) as defined above.

Green (RoHS & no Sb/Br): TI defines "Green" to mean Pb-Free (RoHS compatible), and free of Bromine (Br) and Antimony (Sb) based flame retardants (Br or Sb do not exceed 0.1% by weight in homogeneous material)

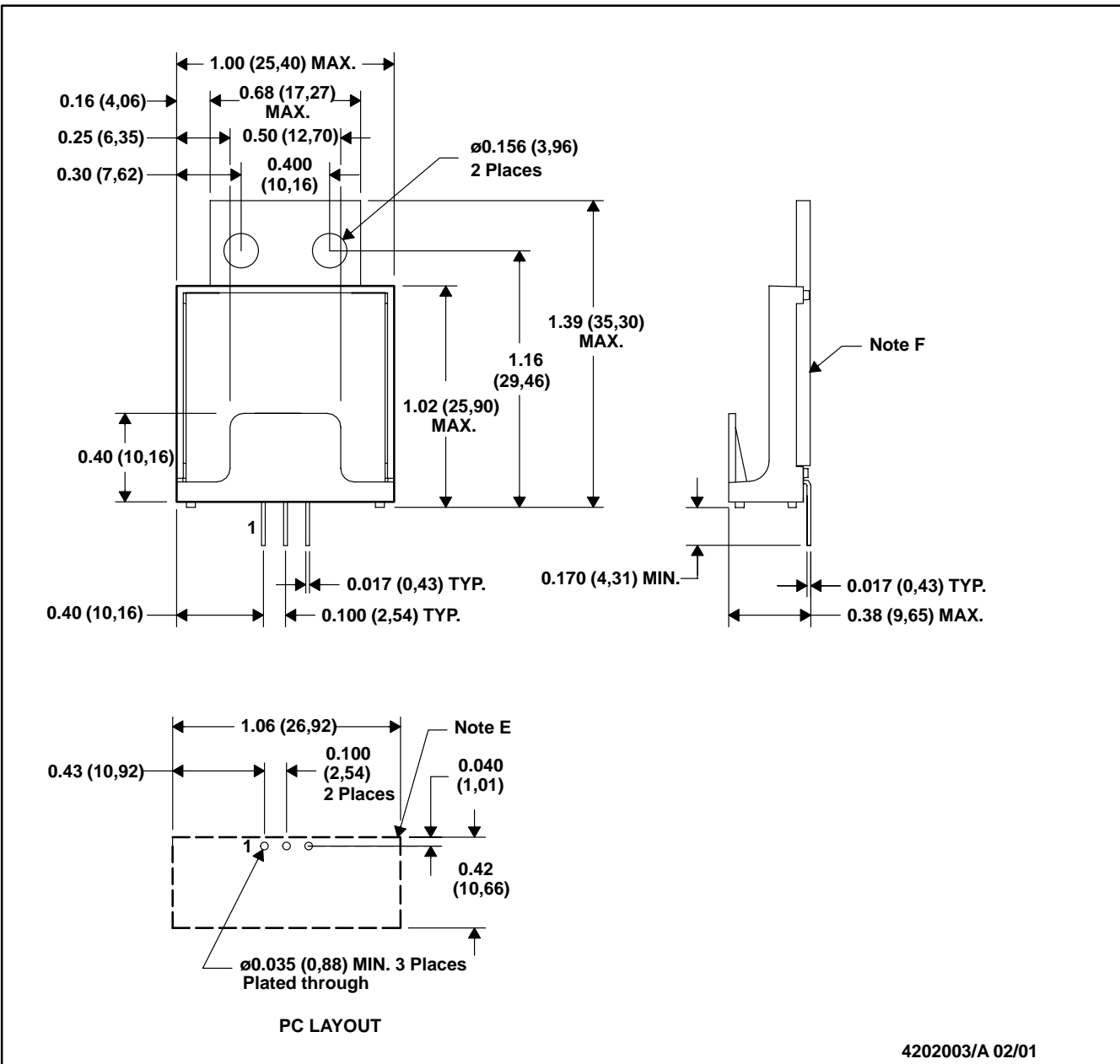
(3) MSL, Peak Temp. -- The Moisture Sensitivity Level rating according to the JEDEC industry standard classifications, and peak solder temperature.

Important Information and Disclaimer:The information provided on this page represents TI's knowledge and belief as of the date that it is provided. TI bases its knowledge and belief on information provided by third parties, and makes no representation or warranty as to the accuracy of such information. Efforts are underway to better integrate information from third parties. TI has taken and continues to take reasonable steps to provide representative and accurate information but may not have conducted destructive testing or chemical analysis on incoming materials and chemicals. TI and TI suppliers consider certain information to be proprietary, and thus CAS numbers and other limited information may not be available for release.

In no event shall TI's liability arising out of such information exceed the total purchase price of the TI part(s) at issue in this document sold by TI to Customer on an annual basis.

EAF (R-PSIP-T3)

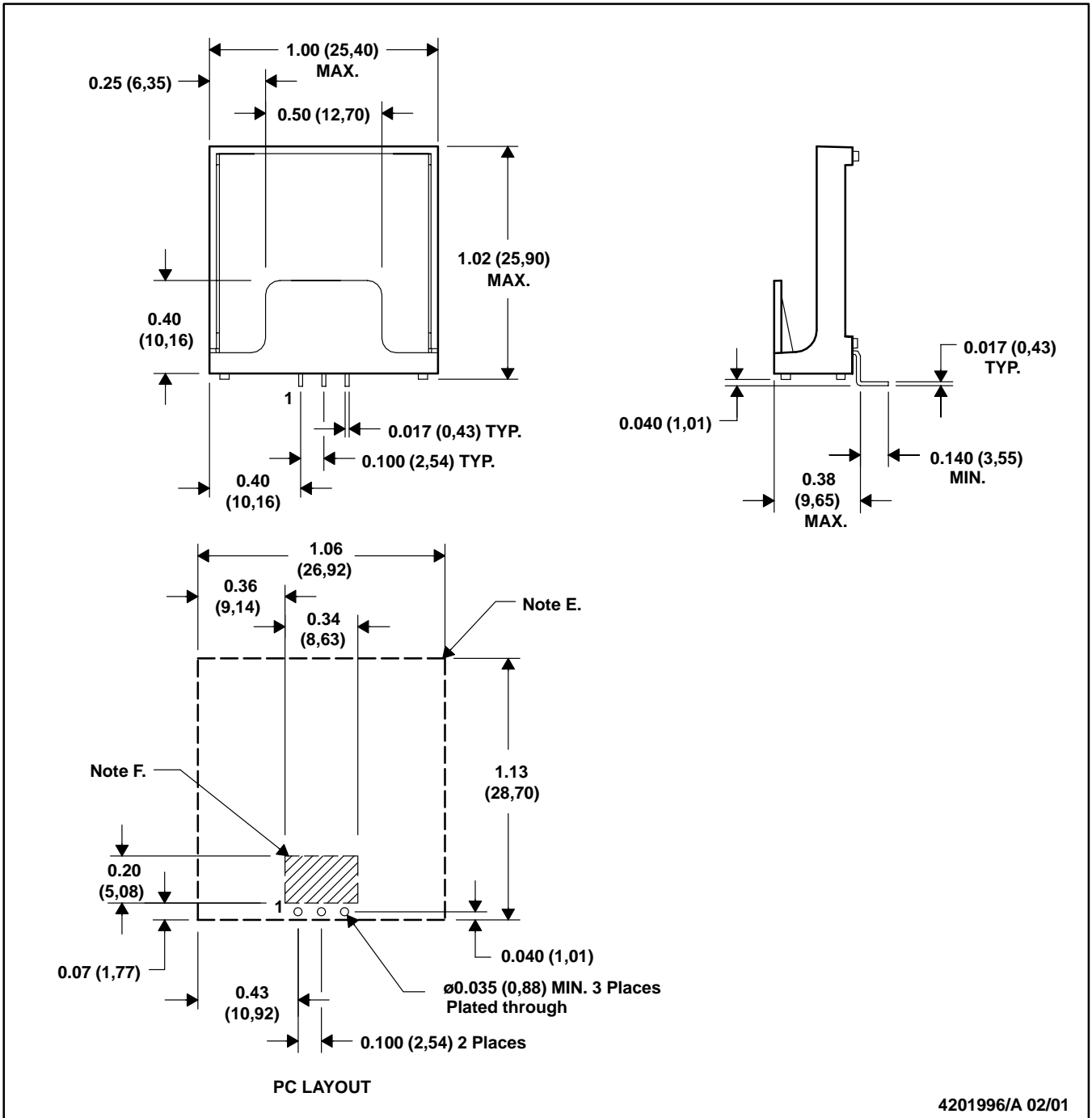
PLASTIC SINGLE-IN-LINE MODULE



- NOTES: A. All linear dimensions are in inches (mm).
 B. This drawing is subject to change without notice.
 C. 2-place decimals are ± 0.030 ($\pm 0,76$ mm).
 D. 3-place decimals are ± 0.010 ($\pm 0,25$ mm).
 E. Recommended mechanical keep-out area.
 F. The metal tab is isolated but electrically conductive, it can be grounded.

EAA (R-PSIP-T3)

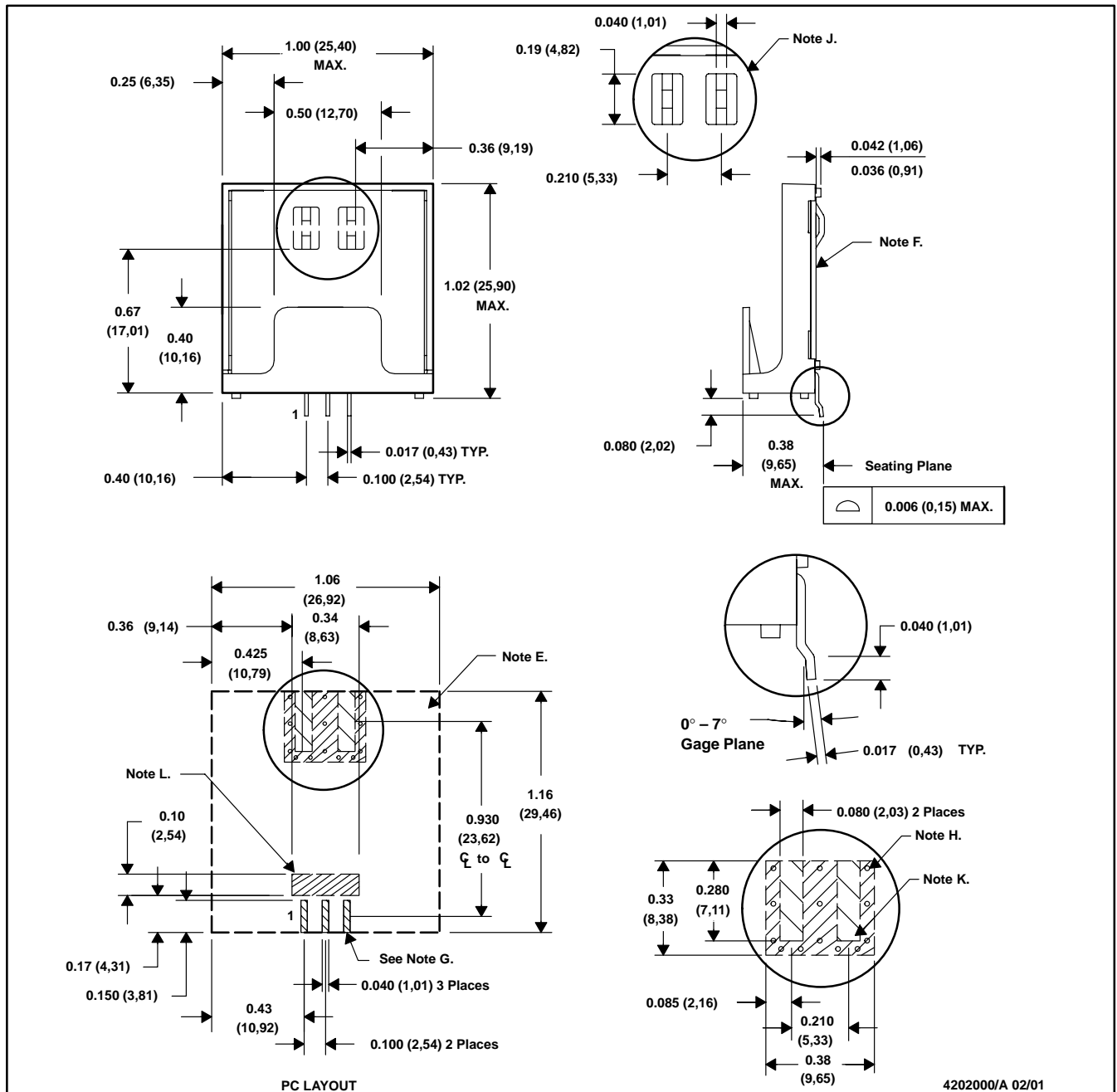
PLASTIC SINGLE-IN-LINE MODULE



- NOTES: A. All linear dimensions are in inches (mm).
 B. This drawing is subject to change without notice.
 C. 2-place decimals are ± 0.030 ($\pm 0,76$ mm).
 D. 3-place decimals are ± 0.010 ($\pm 0,25$ mm).
 E. Recommended mechanical keep-out area.
 F. No copper, power or signal traces in this area.

EAL (R-PSIP-G3)

PLASTIC SINGLE-IN-LINE MODULE

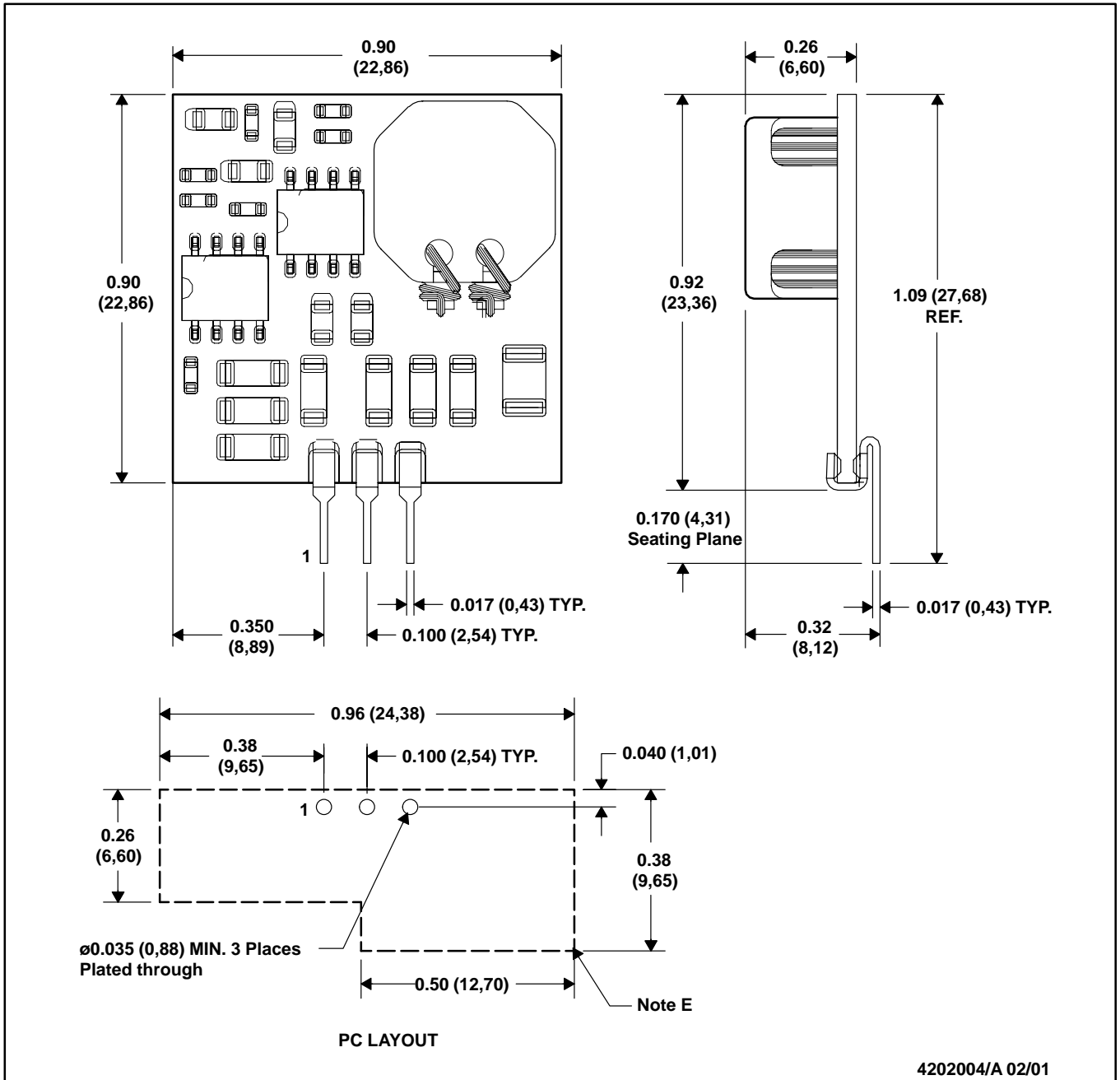


- NOTES:
- A. All linear dimensions are in inches (mm).
 - B. This drawing is subject to change without notice.
 - C. 2-place decimals are ± 0.030 ($\pm 0,76$ mm).
 - D. 3-place decimals are ± 0.010 ($\pm 0,25$ mm).
 - E. Recommended mechanical keep-out area.
 - F. The metal tab is isolated but electrically conductive. No signal traces are allowed under the metal tab area. A solid copper island is recommended, which may be grounded.
 - G. Power pin connections should utilize two or more vias per input, ground and output pin.

- H. Minimum copper land area required for solder tab. Vias are recommended to improve copper adhesion or connect land to other ground area.
- J. Underside solder tabs detail
- K. Solder mask openings to copper island for solder joints to mechanical pins.
- L. No copper, power or signal traces in this area.

EAU (S-PSIP-T3)

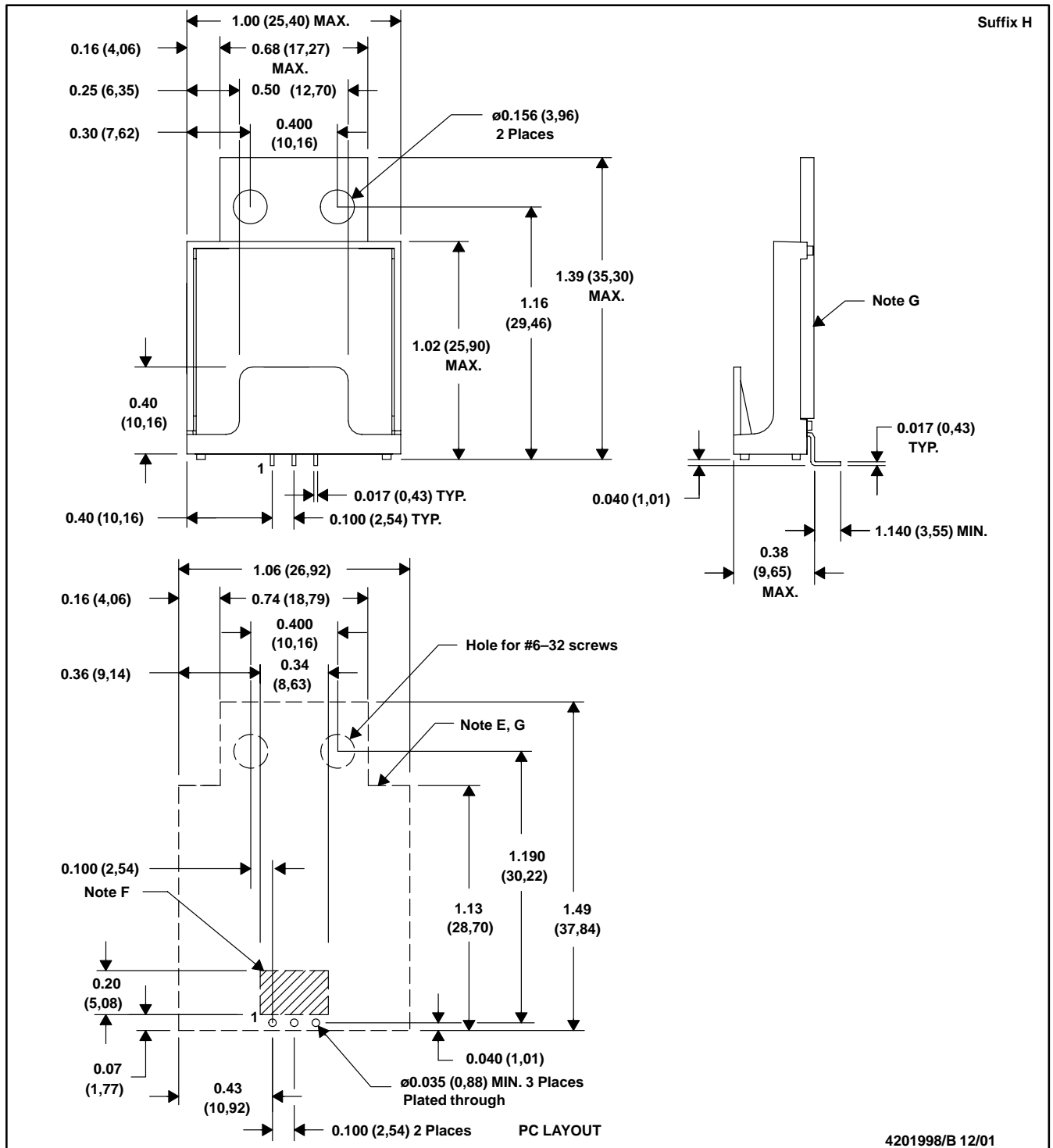
PLASTIC SINGLE-IN-LINE MODULE



- NOTES: A. All linear dimensions are in inches (mm).
 B. This drawing is subject to change without notice.
 C. 2-place decimals are ± 0.030 ($\pm 0,76$ mm).
 D. 3-place decimals are ± 0.010 ($\pm 0,25$ mm).
 E. Recommended mechanical keep-out area.

EAH (R-PSIP-T3)

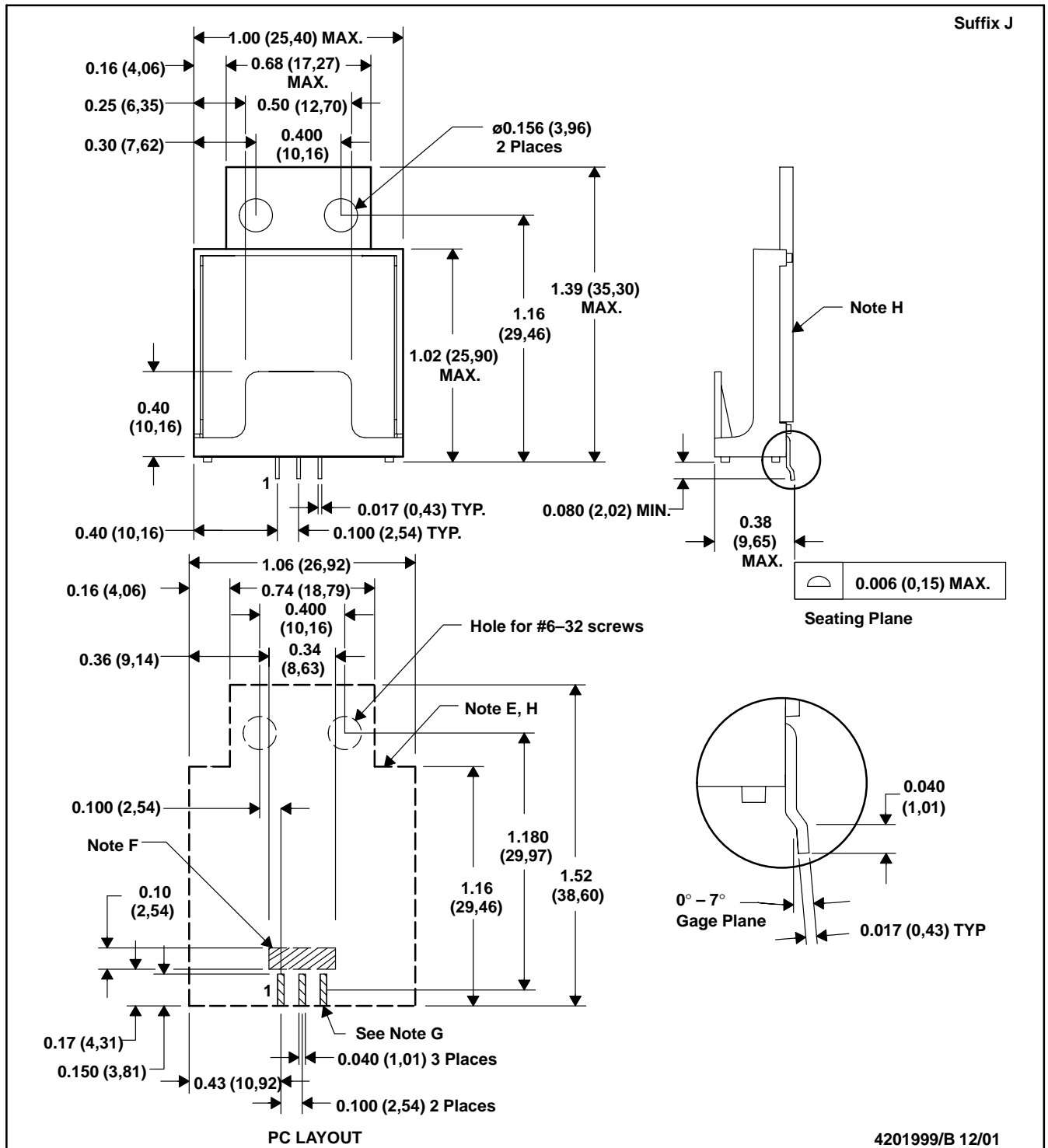
PLASTIC SINGLE-IN-LINE MODULE



- NOTES:
- A. All linear dimensions are in inches (mm).
 - B. This drawing is subject to change without notice.
 - C. 2-place decimals are ± 0.030 (± 0.76 mm).
 - D. 3-place decimals are ± 0.010 (± 0.25 mm).
 - E. Recommended mechanical keep-out area.
 - F. No copper, power or signal traces in this area.
 - G. The metal tab is isolated but electrically conductive. No signal traces are allowed under the metal tab area. A solid copper island is recommended, which may be grounded.

EAJ (R-PSIP-G3)

PLASTIC SINGLE-IN-LINE MODULE



- NOTES:
- A. All linear dimensions are in inches (mm).
 - B. This drawing is subject to change without notice.
 - C. 2-place decimals are ± 0.030 (± 0.76 mm).
 - D. 3-place decimals are ± 0.010 (± 0.25 mm).
 - E. Recommended mechanical keep-out area.
 - F. No copper, power or signal traces in this area.

- G. Power pin connections should utilize two or more vias per input, ground and output pin.
- H. The metal tab is isolated but electrically conductive. No signal traces are allowed under the metal tab area. A solid copper island is recommended, which may be grounded.

IMPORTANT NOTICE

Texas Instruments Incorporated and its subsidiaries (TI) reserve the right to make corrections, modifications, enhancements, improvements, and other changes to its products and services at any time and to discontinue any product or service without notice. Customers should obtain the latest relevant information before placing orders and should verify that such information is current and complete. All products are sold subject to TI's terms and conditions of sale supplied at the time of order acknowledgment.

TI warrants performance of its hardware products to the specifications applicable at the time of sale in accordance with TI's standard warranty. Testing and other quality control techniques are used to the extent TI deems necessary to support this warranty. Except where mandated by government requirements, testing of all parameters of each product is not necessarily performed.

TI assumes no liability for applications assistance or customer product design. Customers are responsible for their products and applications using TI components. To minimize the risks associated with customer products and applications, customers should provide adequate design and operating safeguards.

TI does not warrant or represent that any license, either express or implied, is granted under any TI patent right, copyright, mask work right, or other TI intellectual property right relating to any combination, machine, or process in which TI products or services are used. Information published by TI regarding third-party products or services does not constitute a license from TI to use such products or services or a warranty or endorsement thereof. Use of such information may require a license from a third party under the patents or other intellectual property of the third party, or a license from TI under the patents or other intellectual property of TI.

Reproduction of TI information in TI data books or data sheets is permissible only if reproduction is without alteration and is accompanied by all associated warranties, conditions, limitations, and notices. Reproduction of this information with alteration is an unfair and deceptive business practice. TI is not responsible or liable for such altered documentation. Information of third parties may be subject to additional restrictions.

Resale of TI products or services with statements different from or beyond the parameters stated by TI for that product or service voids all express and any implied warranties for the associated TI product or service and is an unfair and deceptive business practice. TI is not responsible or liable for any such statements.

TI products are not authorized for use in safety-critical applications (such as life support) where a failure of the TI product would reasonably be expected to cause severe personal injury or death, unless officers of the parties have executed an agreement specifically governing such use. Buyers represent that they have all necessary expertise in the safety and regulatory ramifications of their applications, and acknowledge and agree that they are solely responsible for all legal, regulatory and safety-related requirements concerning their products and any use of TI products in such safety-critical applications, notwithstanding any applications-related information or support that may be provided by TI. Further, Buyers must fully indemnify TI and its representatives against any damages arising out of the use of TI products in such safety-critical applications.

TI products are neither designed nor intended for use in military/aerospace applications or environments unless the TI products are specifically designated by TI as military-grade or "enhanced plastic." Only products designated by TI as military-grade meet military specifications. Buyers acknowledge and agree that any such use of TI products which TI has not designated as military-grade is solely at the Buyer's risk, and that they are solely responsible for compliance with all legal and regulatory requirements in connection with such use.

TI products are neither designed nor intended for use in automotive applications or environments unless the specific TI products are designated by TI as compliant with ISO/TS 16949 requirements. Buyers acknowledge and agree that, if they use any non-designated products in automotive applications, TI will not be responsible for any failure to meet such requirements.

Following are URLs where you can obtain information on other Texas Instruments products and application solutions:

Products

Amplifiers	amplifier.ti.com
Data Converters	dataconverter.ti.com
DSP	dsp.ti.com
Clocks and Timers	www.ti.com/clocks
Interface	interface.ti.com
Logic	logic.ti.com
Power Mgmt	power.ti.com
Microcontrollers	microcontroller.ti.com
RFID	www.ti-rfid.com
RF/IF and ZigBee® Solutions	www.ti.com/lprf

Applications

Audio	www.ti.com/audio
Automotive	www.ti.com/automotive
Broadband	www.ti.com/broadband
Digital Control	www.ti.com/digitalcontrol
Medical	www.ti.com/medical
Military	www.ti.com/military
Optical Networking	www.ti.com/opticalnetwork
Security	www.ti.com/security
Telephony	www.ti.com/telephony
Video & Imaging	www.ti.com/video
Wireless	www.ti.com/wireless

Mailing Address: Texas Instruments, Post Office Box 655303, Dallas, Texas 75265
Copyright © 2008, Texas Instruments Incorporated